

Zetor



ZETOR SYSTEM

FRONT LOADERS ZC & ZL & ZQ

ZETOR TRACTORS a.s. in cooperation with ÅLÖ AB launches front loaders under the name Zetor System. Model ranges are offered: compact serie ZC, standard serie ZL, premium serie ZQ



ZETOR SYSTEM

FRONT LOADERS THAT FIT PERFECTLY TO YOUR ZETOR

ZETOR SYSTEM presents front loaders designed specifically for Zetor tractors. Compatibility between equipment is guaranteed thanks to uncompromising loader tests on Zetor tractors. If you're looking for a compatible and robust front loader, your best option is the ZETOR SYSTEM offer. The offer includes compact ZC loaders, basic ZL loaders and professional ZQ loaders which enable you to choose a wide variety of accessories – for the most demanding users.

ZETOR SYSTEM loaders have high working capacity, combined with leading safety and work environment benefits. Every detail has

been designed after maximum consideration, in order to make loading as simple, safe and effective as possible. An ultramodern front loader that doesn't make compromise.

A very good example is the superb visibility – in front as well as to the sides. The explanation lies in the smart construction design of the loader beam and the unique low knee placement for the visibility-optimised implement carrier. Another example is simplicity, in everything from service to handling of hydraulics and implements. Easy to work with and gentle on the body.

FRONT LOADERS ZC

Make your compact tractor much more productive – your own satisfaction guaranteed! Performance down to the smallest detail.



- **COMPACT AND RELIABLE LOADER BEAM DESIGN**
All the essential parts of the hydraulics are securely protected inside the loader beam, which minimises the risk of injury and damage. Of course, this design also enhances the view.
- **QUICK AND SIMPLE TO CONNECT AND DISCONNECT**
You do not need any tools to connect and disconnect your ZC Compact loader.
- **STRONG PINS AND SMART LOCKING**
All the pins are zinc-coated, and can also be lubricated. Note also the pin locking system unique, which prevents the pins from rotating.
- **CROSS TUBE IN UNIQUELY LOW POSITION**
The extra low cross tube on the ZC Compact loader means that you always have a full view of the implement. Driving is also optimised from a safety point of view because the front lights are not hidden or covered.
- **THE SMOOTH, INTEGRATED SUPPORT LEGS** make the ZC Compact loader extremely easy to connect and disconnect.

FRONT LOADER

ZC series

1 HIGH-PERFORMANCE DESIGN

The beam has strong and robust bearing box – its slim design providing the best view possible.

2 QUICK AND SIMPLE TO CONNECT AND DISCONNECT

No tools are needed to disconnect from your ZC loader. The solid, smooth and integrated support legs further simplify connection and disconnection.

3 QUICK ATTACH TOOL CARRIER

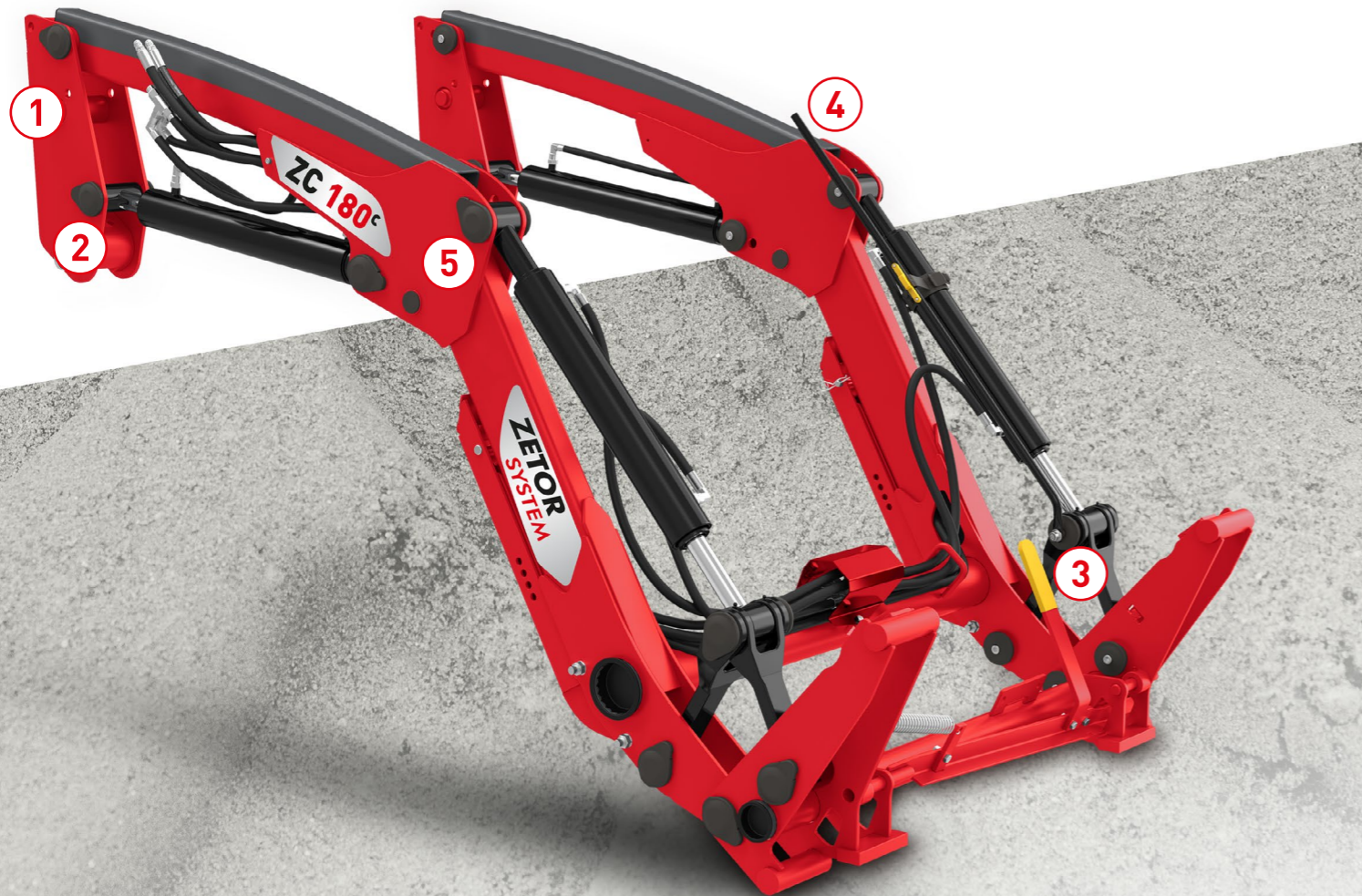
The tool carrier provides benefits such as an superb view of the implement, a helpful quick-connection function, and an excellent crowd angle.

4 IMPLEMENT INDICATOR

The implement indicator means that you can always keep control of the implement's angle from the ground. It can be fitted on either the right or the left-hand side and is very simple to adjust.

5 SIMPLE SERVICING SAVES YOU TIME

When you lubricate and pressure wash ZC loader, the plastic caps on the pins ensure that the grease does not contaminate the paint or windscreen.



Model	ZC180c	ZC180c MSL
Compatibility	UTILIX HT	UTILIX HT
Self-levelling	-	YES
Lift height (m)		
Lift height at pivot pin	2.81	2.81
Lift height under work attachment	2.62	2.62
Operating angles (°)		
Max. rollback angle	44	45
Max. dump angle	51	51
Lift force at 500 mm from the pivot PIN (kg)		
At max. lift height	720	1210
At a height of 1.5 m	990	1430
Maximum rollback force (kg)		
500 mm from the pivot pin	1400	1700
Weight (kg)		
Front loader (boom)	280	330

OPTIONAL EQUIPMENT

SELF-LEVELLING

Greater efficiency thanks to parallel linkage. An option which provide even more power and greater work speed. The implement is always in the correct position, from the ground up to maximum height.

3RD SERVICE

When the front loader is configured to have a 3rd hydraulic function, you can use active front attachments, or equip the tractor with the hydraulic implement fixture.

SOFT-DRIVE

The soft-drive gives you optimum load handling, good ergonomics and driver comfort, also it reduces strain and stress on the loader, subframe, tractor and driver. This function is easy to activate, with a mechanical on/off switch located on the bearing box.

FRONT LOADERS ZL

Always ready when duty calls. High-performance at a very reasonable price.



- **RELIABILITY AND SECURITY**
ZL loader s jam-packed with features that enhance its reliability. One perfect example of this is the cross bar that is positioned across the back of the tool carrier to prevent any damage to the implement locking mechanism - saving time and money!
- **QUICK AND SIMPLE TO CONNECT AND DISCONNECT**
No tools are needed to disconnect from your ZL loader. The solid, smooth and integrated support legs further simplify connection and disconnection.
- **SMART PRACTICAL DESIGN**
The design of the loader beam means that the ZL loader matches today's modern tractors in a unique manner. The fact that it has the lowest knee placement on the market also means that it has superb side visibility.
- **DRIVE AS HARD AS YOU WANT, AS SMOOTHLY AS POSSIBLE**
SoftDrive load-reducing suspension function minimises strain on the loader and subframe, as well as on the driver and tractor. You activate the SoftDrive with a manual stopcock.

FRONT LOADER

ZL series

1 STRONG SUBFRAME & BEARING BOX

The heavy-duty dimensions of the subframe together with the inwardly curved design of the bearing box give the ZL loader a formidable torsional rigidity and stability.

2 QUICK AND SIMPLE TO CONNECT AND DISCONNECT

No tools are needed to disconnect from your ZL loader. The solid, smooth and integrated support legs further simplify connection and disconnection.

3 CONVENIENT AUTOMATIC IMPLEMENT LOCKING

Another smart safety function that ensures the implement is always correctly attached and that its locking pins are always in the locked position. Locking is automatic when crowding back.

4 SIMPLIFIED IMPLEMENT INDICATOR

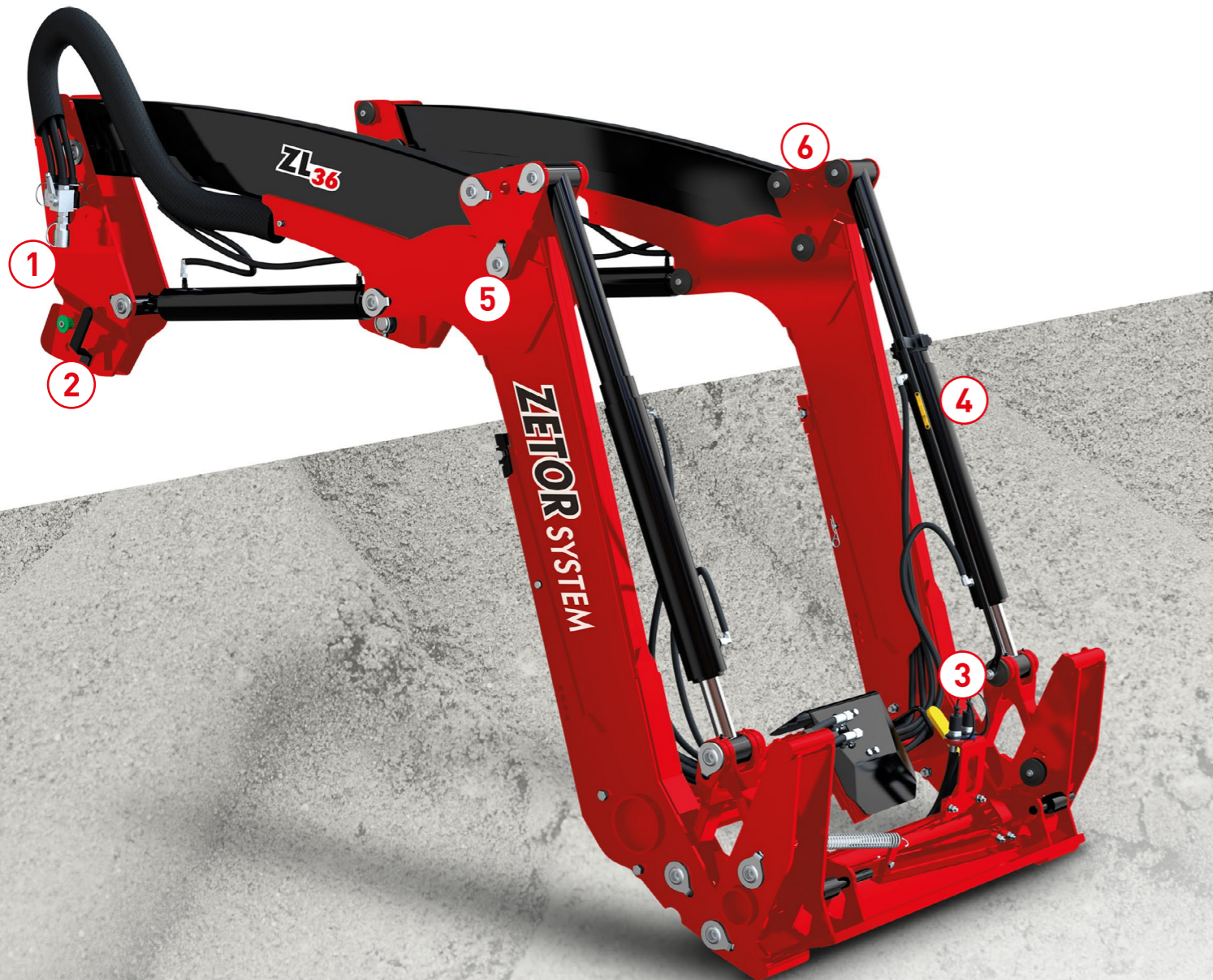
The position indicator is compact so that it doesn't stick up and cause damage or become damaged itself. It is easy to fit and can be adjusted in three positions for various implements, ensuring exact precision of the implement's angle with the ground.

5 GREASE NIPPLES

All Grease Nipples are placed on the outside for easy access.

6 SELF-LEVELLING

All loaders in the ZL series are fitted with a mechanical self-levelling system which ensures that the front attachment remains parallel to the ground when the boom is raised.



Model	ZL16	ZL26	ZL36	ZL46	ZL56
Compatibility					
	HORTUS CL	MAJOR CL	MAJOR CL	PROXIMA CL	FORTERRA CL
	HORTUS HS	MAJOR HS	MAJOR HS	PROXIMA GP	FORTERRA HSX
			PROXIMA CL	PROXIMA HS	FORTERRA HD
			PROXIMA GP	FORTERRA CL	
			PROXIMA HS	FORTERRA HSX	
Lift height (m)					
Lift height at pivot pin	2.9	3.1	3.4	3.7	3.9
Lift height under work attachment	2.7	2.9	3.2	3.5	3.7
Operating angles (°)					
Max. rollback angle	46	42	44	42	43
Max. dump angle	47	50	50	49	46
Lift force at 800 mm from the pivot PIN (kg)					
At max. lift height	960	1220	1520	1590	1680
At a height of 1.5 m	1170	1400	1560	1710	1890
Maximum rollback force (kg)					
800 mm from the pivot pin	1500	1500	1890	2280	2740
Weight (kg)					
Front loader (boom)	340	360	390	420	440

OPTIONAL EQUIPMENT

MULTICOUPLING

Multicoupling is another function that makes putting the loader on and taking it off so much easier. Multicoupling means you no longer need to connect individual hydraulic circuits and electric connectors separately, you can conveniently plug in everything together at the same time.

3RD SERVICE

When the front loader is configured to have a 3rd hydraulic service, you can use active front attachments, or equip the tractor with the hydraulic implement fixture.

SELECTO-FIX

Selecto-fix is a useful assistant that you'll quickly learn to appreciate if you frequently need to attach different hydraulic implements under pressure. As with multicoupling, it helps when you're connecting and disconnecting hydraulic circuits, but this time between the boom and the front attachment.

SOFT-DRIVE

Soft-Drive load reducing suspension function minimises strain on the loader and subframe, as well as on the driver and tractor. You activate the SoftDrive with a manual stopcock.

FRONT LOADERS ZQ

For the professional. Digital integrated front loaders that maximizes your tractor's potential.

- **SUPERB VISIBILITY**
No pipes that block visibility, low placement of cross tubes. The ZQ loader enables optimum visibility in all situations, including in the dark, as the tractor lights are not blocked.
- **MAXIMUM LIFTING POWER**
Solidly dimensioned loader arms and pins and optimally dimensioned cylinders are factors which significantly contribute to ZQ's great lifting capacity.
- **LOADER CONTROL SYSTEM (LCS)**
Unmatched control, direct response and fast motion reaction thanks to flow optimization for every task, independently of load weight.
- **CROSS TUBE**
All joints where the loader receives the greatest load have been reinforced to be even stronger. One example is the boom arm front joint and the cross tube.
- **HEAVY-DUTY**
Dimensioned cylinders, subframe system, bearing box, etc. Some examples of details that contribute to ZQ's recognised high level of durability and long service life.
- **ATTENTION TO DETAIL**
Reinforcement plates are placed strategically to give additional strength and durability to all loaders.

FRONT LOADER

ZQ series

1 STRONG SUBFRAME & BEARING BOX

The heavy-duty dimensions of the subframe together with the inwardly curved design of the bearing box give the ZQ loader a formidable torsional rigidity and stability.

2 LOCK&GO

The new generation front loaders have a mechanism that makes it much easier to attach and detach the front loader to and from the tractor. After connecting up the hydraulic couplers, just drive up to the loader and it will automatically lock in place.

3 GREASE NIPPLES

All grease nipples are protected under a plastic cover. They are placed on the outside for easy access. No grease spread out on the bonnet or windows when washing the tractor.

4 CROSS TUBE

Round tube to optimize torsional durability/stiffness and weld quality.

5 SIMPLIFIED IMPLEMENT INDICATOR

The position indicator is compact so that it doesn't stick up and cause damage or become damaged itself. It is easy to fit and can be adjusted in three positions for various implements, ensuring exact precision of the implement's angle with the ground.

6 AUTOMATIC IMPLEMENT LOCK

ZETOR SYSTEM loaders lock implements automatically, which means they're locked securely. The premium ZQ series is equipped with two unlocking levers, one of which is also used as a mechanical implement locking indicator.

7 SELF-LEVELLING

All loaders in the ZQ series are fitted with a mechanical self-levelling system which ensures that the front attachment remains parallel to the ground when the boom is raised.

8 CYLINDER

Well proven and durable cylinder design. Optimised oil flow and reduced pressure drop that will generate less heat. Gives excellent SoftDrive performance.



Model	ZQ 3 ^s	ZQ 4 ^s	ZQ 5 ^s
Compatibility			
	PROXIMA CL	PROXIMA GP	FORTERRA CL
	PROXIMA GP	PROXIMA HS	FORTERRA HSX
	PROXIMA HS	FORTERRA CL	FORTERRA HD
		FORTERRA HSX	
Lift height (m)			
Lift height at pivot pin	3.55	3.79	4.06
Lift height under work attachment	3.25	3.49	3.76
Operating angles (°)			
Max. rollback angle	48	48	48
Max. dump angle	58	58	57
Lift force at 800 mm from the pivot PIN (kg)			
At max. lift height	1550	1920	1980
At a height of 1.5 m	1570	1940	2100
Maximum rollback force (kg)			
800 mm from the pivot pin	2390	3360	3370
Weight (kg)			
Front loader (boom)	520	575	620

OPTIONAL EQUIPMENT

MULTICOUPLING

Multicoupling is another function that makes putting the loader on and taking it off so much easier. Multicoupling means you no longer need to connect individual hydraulic circuits and electric connectors separately, you can conveniently plug in everything together at the same time.

3RD AND 4TH SERVICE

When the front loader is configured to have a 3rd or 4th hydraulic service, you can use active front attachments, or equip the tractor with the hydraulic implement fixture.

Q-LOCK

Use the Q-Lock when you don't want to leave the driver's seat to unlock an implement. The hydraulic implement fixture is coupled with the 3rd service, allowing implements to be locked and unlocked right from the cab.

SELECTO-FIX

Selecto-fix is an useful assistant that you'll quickly learn to appreciate if you frequently need to attach different hydraulic implements under pressure. As with multicoupling, it helps when you're connecting and disconnecting hydraulic circuits, but this time between the boom and the front attachment.

SOFT-DRIVE

The soft-drive feature reduces vibrations on the tractor and loader. You don't see it but you will feel it. The shock absorbing accumulators are located in the cross-bracing, which eliminates risk of damage and doesn't obstruct the view. The Soft-Drive function in the ZQ series can be switched off electronically using the joystick in the cab.

OPTIONAL EQUIPMENT

Q-COMPANION

The Q-Companion is a device that enables you to weight your load, monitor the precise attachment position, carry out maintenance based on actual time spent using the loader and much more.

WEIGHING

Thanks to Q-Companion you can weigh the load without having to stop loading at a particular position. Save time by easily weighing loads during loading. It is easy to calibrate and store settings for up to ten different attachments using the self-serving graphic interface. Q-Companion also enables you to export data to the supplied USB memory card for archiving or future use.

ATTACHMENT POSITION

The Monitor Q-Companion displays the height and angle of your attachment at any time. Displaying the position of your attachment on the monitor helps you find the angle you need. Individual positions can be stored for each attachment – making your next job more efficient. This function also helps you avoid overstraining the loader, which means the tractor is always stable and there is a lower risk of work injuries.



MAINTENANCE

Q-Companion is equipped with two maintenance indicators which tell you when it's necessary to oil the mechanical joints and when you should tighten the frame bolts. These maintenance reminders are generated according to the period the loader has actually been in use, not by the tractor's operating hours. Q-Companion prolongs the lifetime of your loader and cuts out unnecessary downtime and repairs.

DIAGNOSTICS

The diagnostics let you know the operating hours, hydraulic pressure, load calculations and much more.

LOADER ILLUMINATION KIT

LoaderLight is a LED loader illumination kit for ZQ loaders. The especially designed lights are integrated under the knee plates to follow the position of the arm.

A perfect tool for the winter season. LoaderLight illuminates the implements while working in the dark, especially useful when working with pallet forks.

LoaderLight contains two 10 W heavy duty LED lamp (2x900 lumen), 12 V and 2x0,75 Ampere, IP68. Compatible with all other options except 4th service and ESV valve.



FOUR TYPES OF HYDRAULIC SYSTEMS

Whether you choose for a mechanically or electronically controlled joystick, you always get fully proportional control (both for lifting and lowering, as well as tilting and crowding), a float position for the loader and attachment, as well as lowering and tipping with low-pressure regeneration.

The entire hydraulic system is designed to a high standard, with spill-free flat-face quick couplers, dirt covers and an inbuilt oil pre-heating function in the valve, which has no impact on the tractor's hydraulic system. All hydraulic systems

are also installation ready for 3rd and 4th services.

If you're choosing a front loader for some Forterra HD models, you can use the joystick which comes as part of the tractor's equipment. With it you get the HoseKit De-Luxe functions.

If you choose an electronically operated mini joystick you'll get added comfort thanks to the light controls and well-arranged backlit display, boasting many advanced functions.



HYDRAULICS	ErgoDrive LCS™	EasyDrive LCS™	ElectroDrive LCS™ Profesional	Hose Kit De-Luxe*
Front loader	ZL/ZQ	ZQ	ZQ	ZL/ZQ
Joystick	mechanical	electronic	electronic	mechanical
Backlit display	×	✓	✓	×
Soft shifting between moving front attachment and 3rd service	×	✓	✓	×
Display contrast setting	×	✓	✓	×
Diagnostics	×	✓	✓	×
Factory settings	×	✓	✓	×
Service menu	×	✓	✓	×
Hare function	×	×	✓	×
Tortoise mode	×	×	✓	×
Shake function	×	×	✓	×
AAC - automatically sets attachment's work position	×	×	✓	×

* only for Forterra HD

IMPLEMENTS

ORIGINAL

BUCKETS

All our buckets are conical and are therefore easy to fill, as the material does not need to be pressed into the bucket. The conical, "hopper-shaped" design also allows rapid and complete emptying of the bucket. No matter what your needs are or what demands you stipulate, you will be able to find your new bucket in our range.

Multi Purpose Bucket

Powerful, high-quality multi-purpose bucket.



Bucket HT

Soil bucket with teeth. Same design as series H.



High Tip Bucket

Reaching a new level of performance.



LIFTING IMPLEMENTS

Fork assemblies, bale assemblies, grip attachments, lifts – with our lifting implements you're assured the best possible durability, user benefits and productivity.

Hydraulic Pallet Fork

Maximum productivity and comfort.



Pallet Forks

Wide load-bearing and very stable.



Log Grab Attachment

For a better grip.



SILAGE IMPLEMENTS

Versatile, wear-resistant, productivity-boosting – just some of the advantages of our complete range of ensilage grips. Just like all our other implements, the grips are developed in close cooperation with farmers from around the world, thus ensuring the highest possible user benefits.

Maxi Grapple

For handling round bales, loose hay, twigs and branches, loose silage, manure and for general bucket work.



Multibenne

The perfect all-round implement.



Silograb

Versatile tools with a long service life.



BALE IMPLEMENTS

With our broad range you're guaranteed to find the baling implements to suit your business and best way of working. A common feature of the whole range is careful design and sound details which ensure maximum productivity and operating reliability.

Quadrogrip

Quadrogrip is the best implement on the market for handling wrapped square and round bales.



Unigrip

Proven design, low weight and gentle handling of round bales. This implement is a great alternative to Flexigrip.



Square Bale Fork Standard

A simple, robust implement for both round and square bales.





Zetor



www.zetor.com
zetor@zetor.com



Made in EU



EVERY EFFORT HAS BEEN MADE TO ENSURE THAT THE INFORMATION CONTAINED IN THIS PUBLICATION IS AS ACCURATE AND CURRENT AS POSSIBLE. HOWEVER, INACCURACIES, ERRORS OR OMISSIONS MAY OCCUR AND DETAILS OF THE SPECIFICATIONS MAY BE CHANGED AT ANY TIME WITHOUT NOTICE. THEREFORE, ALL SPECIFICATIONS SHOULD BE CONFIRMED WITH YOUR ZETOR DEALER OR DISTRIBUTOR PRIOR TO ANY PURCHASE. THE IMAGES / PHOTOS ARE ONLY ILLUSTRATIVE AND MAY VARY FROM ACTUAL PRODUCTS. SUBJECT TO CHANGE. 03/2018

DEALER: